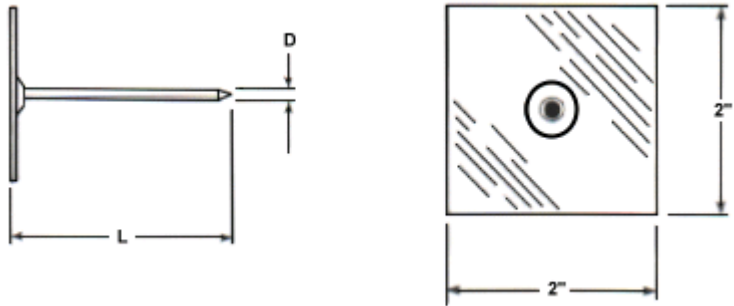




SELF - STICK

To order or specify give:
 Product Code: **IA SS** Length: **L** Size: **12 GA** Material: (if other than standard)



SIZE	D	12 GA (.105") is standard. Other sizes available by special order only.
LENGTH	L	1", 1-5/8", 2", 2-1/2", 3-1/2", 4-1/2", 5-1/2", 6-1/2", 8" and 9" are standard. Other lengths are available by special order.

MATERIAL	PLATE	PIN
	LOW CARBON STEEL	LOW CARBON STEEL
PLATING	Galvanized is standard	Galvanized coating is standard

OTHER MATERIALS Also available by special order in all Stainless Steel or all Aluminum.

NOTE: Aluminum pins are provided on shorter length Insul-Anchors for ease of bending

WASHERS Self-locking washers are available in a variety of sizes, shapes and materials.

www.sunbeltstudwelding.com

Sunbelt Stud Welding, Inc
 6381 Windfern Road
 Houston, Texas 77040-4915



1-800-462-9353
713-939-8903
fax 713-939-9013