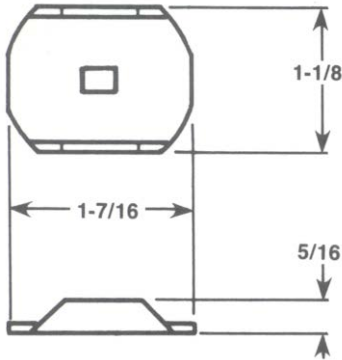




REFRACTORY ANCHORS - WASHERS & RETAINERS

Insul-twist Washer



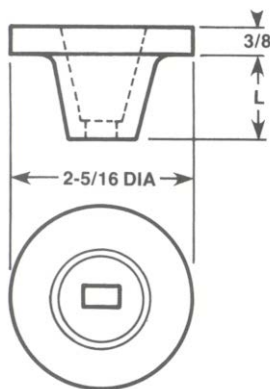
To order or specify give:
 Product Code: **WCN ITW** Length: Specify Size: Specify Material: Specify

APPLICATION Designed for 1/4 turn locking on to SUNBELT INSULTWIST refractory anchors.

MATERIAL
 Stainless Steel: 304
 Stainless Steel: 310
 Stainless Steel: 330
 Inconel: 601

WASHER Sold seperately. Not a component part of stud.

Insul-twist Cup



To order or specify give:
 Product Code: **WCN ITC** Length: **L**

APPLICATION Designed for 1/4 turn locking on to Sunbelt Stud Welding Insultwist refractory anchors.

MATERIAL Ceramic (High Temperature)

SIZE
 L Short - 1"
 Long - 2"

www.sunbeltstudwelding.com

Sunbelt Stud Welding, Inc
 6381 Windfern Road
 Houston, Texas 77040-4915



1-800-462-9353
713-939-8903
fax 713-939-9013

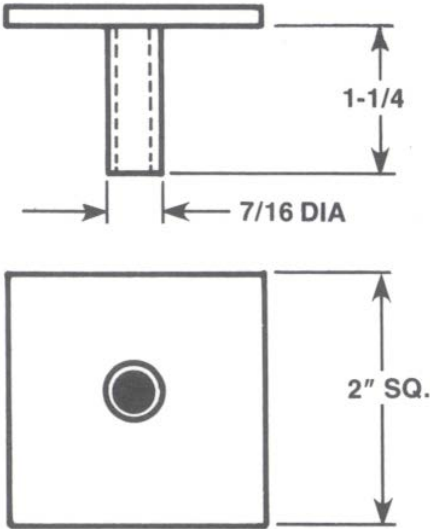


REFRACTORY - DRIVE PLATE

Drive Plate

To order or specify give:
Product Code: **WCN DRPLT**

APPLICATION	Designed to lock on to Sunbelt Stud Welding 5/16" diameter Knurled Studs.
MATERIAL	Mild Steel



www.sunbeltstudwelding.com

Sunbelt Stud Welding, Inc
6381 Windfern Road
Houston, Texas 77040-4915



1-800-462-9353
713-939-8903
fax 713-939-9013