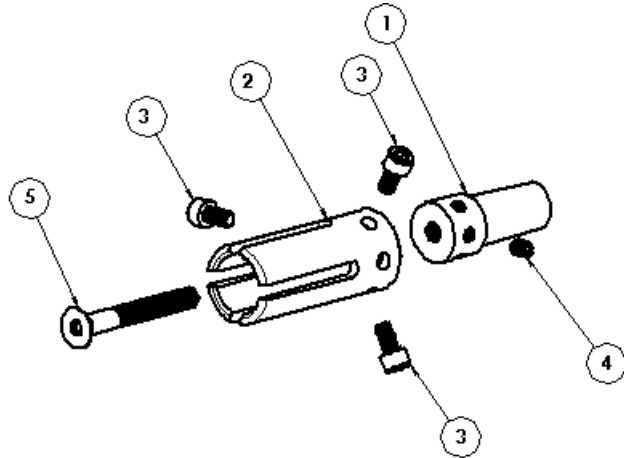




ARC ACCESSORIES: HEADED ANCHOR CHUCKS



CH-037 – 3/8” HEADED ANCHOR CHUCK (3/4” DIAMETER HEAD)		
ITEM #	PART #	DESCRIPTION
1	CH-037-2	Base
2	CH-037-1	Sleeve
3	115-0018	#10-32 x 3/8 Cap Screw
4	115-0019	#10-32 x 1/4 Set Screw
5	CH-037-3	Stop Screw

CH-050 – 1/2” HEADED ANCHOR CHUCK (1” DIAMETER HEAD)		
ITEM #	PART #	DESCRIPTION
1	CH-050-2	Base
2	CH-050-1	Sleeve
3	115-0018	#10-32 x 3/8 Cap Screw
4	115-0019	#10-32 x 1/4 Set Screw
5	CH-050-3	Stop Screw

CH-075 – 5/8 & 3/4” HEADED ANCHOR CHUCK (1-1/4 DIAMETER HEAD)		
ITEM #	PART #	DESCRIPTION
1	CH-075-2	Base
2	CH-075-1	Sleeve
3	115-0018	#10-32 x 3/8 Cap Screw
4	115-0019	#10-32 x 1/4 Set Screw
5	CH-075-3	Stop Screw

www.sunbeltstudwelding.com

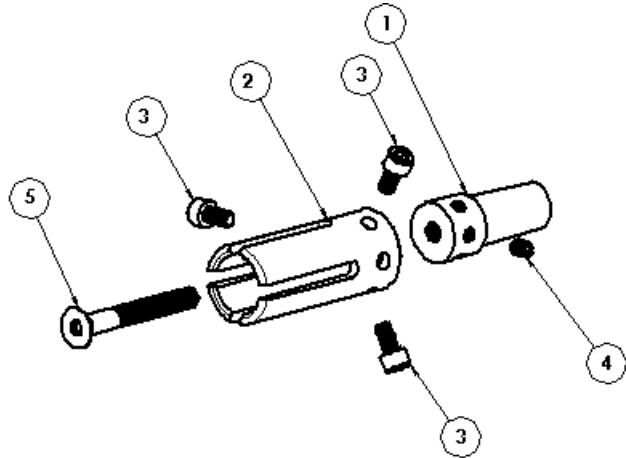
Sunbelt Stud Welding, Inc
6381 Windfern Road
Houston, Texas 77040-4915



1-800-462-9353
713-939-8903
fax 713-939-9013



**ARC ACCESSORIES:
HEADED ANCHOR CHUCKS**



CH-087 – 7/8” HEADED ANCHOR CHUCK (1-3/8” DIAMETER HEAD)		
ITEM #	PART #	DESCRIPTION
1	CH-087-2	Base
2	CH-087-1	Sleeve
3	115-0018	#10-32 x 3/8 Cap Screw
4	115-0019	#10-32 x 1/4 Set Screw
5	CH-087-3	Stop Screw

CH-100 – 1” HEADED ANCHOR CHUCK (1-5/8” DIAMETER HEAD)		
ITEM #	PART #	DESCRIPTION
1	CH-100-2	Base
2	CH-100-1	Sleeve
3	115-0018	#10-32 x 3/8 Cap Screw
4	115-0019	#10-32 x 1/4 Set Screw
5	CH-100-3	Stop Screw

www.sunbeltstudwelding.com

Sunbelt Stud Welding, Inc
6381 Windfern Road
Houston, Texas 77040-4915



1-800-462-9353
713-939-8903
fax 713-939-9013