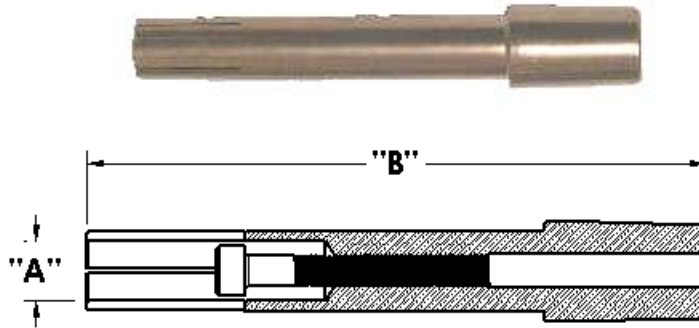




ARC ACCESSORIES: LONG ADJUSTABLE CHUCKS



STUD DIAMETER	"A" DIMENSION	"B" DIMENSION	PART #
#6 (10 Ga.)	0.138	3.875	CM-013
#8	0.164	3.875	CM-015
#10	0.190	3.875	CM-019
5mm	0.196	3.875	CM-005M
6mm	0.236	3.875	CM-006M
1/4	0.250	3.875	CM-025
5/16	0.312	3.875	CM-031
8mm	0.315	3.875	CM-008M
0.33	0.330	3.875	CM-033
5/8	0.375	3.875	CM-037
10mm	0.394	3.875	CM-010M
7/16	0.437	3.875	CM-043
12mm	0.472	3.875	CM-012M
1/2	0.500	3.875	CM-050
9/16	0.562	3.875	CM-056
5/8	0.625	3.875	CM-062
3/4	0.750	3.875	CM-075

www.sunbeltstudwelding.com

Sunbelt Stud Welding, Inc.
6381 Windfern Road
Houston, Texas 77040-4915



1-800-462-9353
713-939-8903
fax 713-939-9013