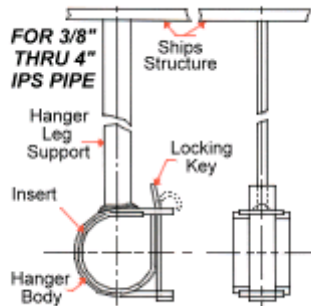




PIPE HANGER: "KEY-LOCK" TYPE

Material Specifications



- Hanger Leg Support
- Hot Rolled Steel (M1015)
- Hanger Body
- Cold Rolled Steel (C1015-C1018)
- Locking Key
- Cold Rolled Steel (C1015-C1018)
- Insert
- Rubber (MIL-R-6855, CL2, 60 DURO)
- Finish
- Yellow Zinc Chromate (STD)
- Special finish to customer requirements also available

PIPE HANGER								
ASSY. NO.	NOMINAL (inches) IPS	LEG Support Length	ASSY. NO.	NOMINAL (inches) IPS	LEG Support Length	ASSY. NO.	NOMINAL (Inches)	LEG Support Length
1200-04	3/8"	4"	1203-04	1"	4"	1206-04	2"	4"
1200-08		8"	1203-08		8"	1206-08		8"
1200-12		12"	1203-12		12"	1206-12		12"
1200-16		16"	1203-16		16"	1206-16		16"
1200-18		18"	1203-18		18"	1206-18		18"
1201-04	1/2"	4"	1204-04	1 1/4"	4"	1207-04	2 1/2"	4"
1201-08		8"	1204-08		8"	1207-08		8"
1201-12		12"	1204-12		12"	1207-12		12"
1201-16		16"	1204-16		16"	1207-16		16"
1201-18		18"	1204-18		18"			
1202-04	3/4"	4"	1205-04	1 1/2"	4"	1208-04	3"	4"
1202-08		8"	1205-08		8"	1208-08		8"
1202-12		12"	1205-12		12"	1208-12		12"
1202-16		16"	1205-16		16"	1208-16		16"
1202-18		18"	1205-18		18"			
						1209-04	3 1/2"	4"
						1209-08		8"
						1209-12		12"
						1200-04	4"	4"
						1200-08		8"
						1200-12		12"

Navy and Commercial Marine Approved

www.sunbeltstudwelding.com

Sunbelt Stud Welding, Inc.
6381 Windfern Road
Houston, Texas 77040-4915



15-18

1-800-462-9353
713-939-8903
fax 713-939-9013