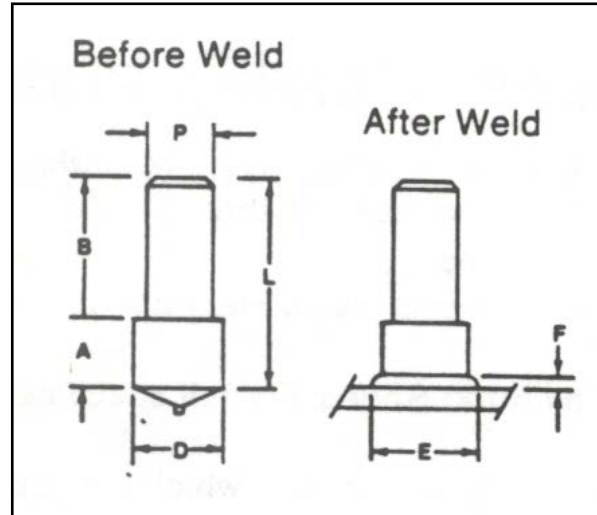




ALUMINUM SB WELDING PINS



SUNBELT aluminum SB (Shoulder Base) welding pins are plain, unthreaded fasteners with a weld base diameter greater than the extension diameter. Available with weld base diameters from 1/4" through 1/2"; extension diameters, 1/8" through 3/8".

Typical Use: As standoff and pivot between parent metal and rotating arm or wheel.

Length Specifications: Overall length limits are established by the combination of A and B.

Material: Aluminum alloy 5000 Series.

Ferrules: All orders include ferrules, which are supplied with the studs and are not sold individually.

To Order: Specify **SB** pins, quantity, **D, P, A(BW), B**, material.

SPECIFICATIONS								
PIN DIA. P	WELD BASE DIA. (NOM.) D	WELD BASE LENGTH		MAX PIN LENGTH B	MAXIMUM OVERALL LENGTH		APPROXIMATE WELD BEAD DIMENSIONS	
		B-4 WELD A(BW)	AFTER WELD A(AW)		B/W L(BW)	A/W L(AW)	DIA. E	HGT. F
1/8	1/4	5/16	1/8	5/16	5/8	7/16	13/32	1/8
3/16	5/16	3/8	3/16	15/32	27/32	21/32	15/32	5/32
1/4	3/8	13/32	7/32	5/8	1-1/32	25/32	5/8	3/16
5/16	7/16	15/32	9/32	25/32	1-1/4	1-1/16	21/32	7/32
3/8	1/2	1/2	5/16	1	1-1/2	1-5/16	3/4	1/4

www.sunbeltstudwelding.com

Sunbelt Stud Welding, Inc
6381 Windfern Road
Houston, Texas 77040-4915



10-5

1-800-462-9353
713-939-8903
fax 713-939-9013