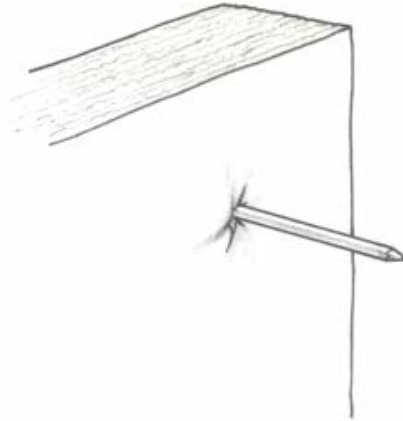




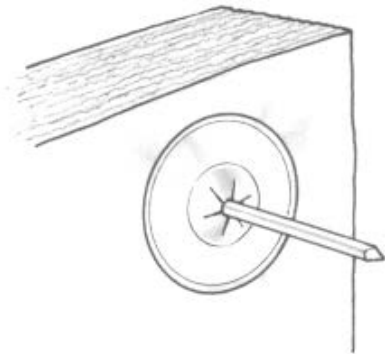
WELD PIN APPLICATION



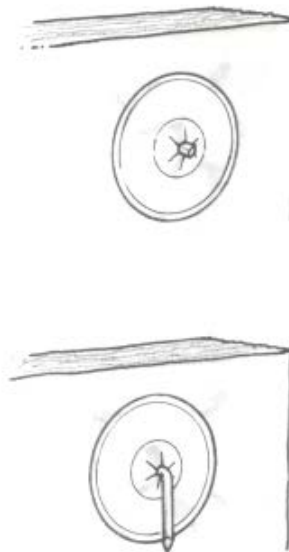
1. WELD PINS IN PLACE.



2. HANG INSULATION ON PINS.



3. PRESS WASHERS ON PINS TO SECURE INSULATION.



4. EITHER CLIP PINS OFF AT WASHER OR BEND PINS OVER WASHER.

www.sunbeltstudwelding.com

Sunbelt Stud Welding, Inc
6381 Windfern Road
Houston, Texas 77040-4915



1-800-462-9353
713-939-8903
fax 713-939-9013